

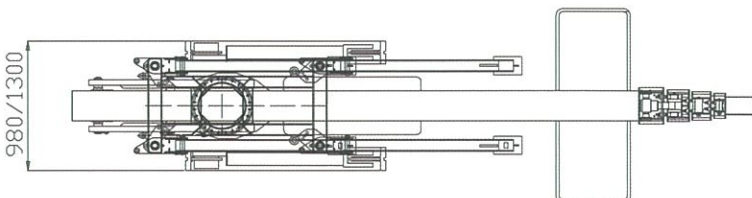
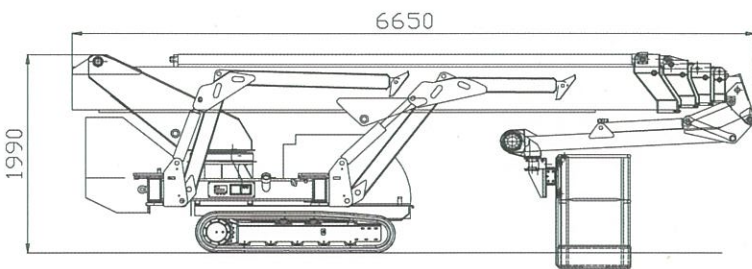
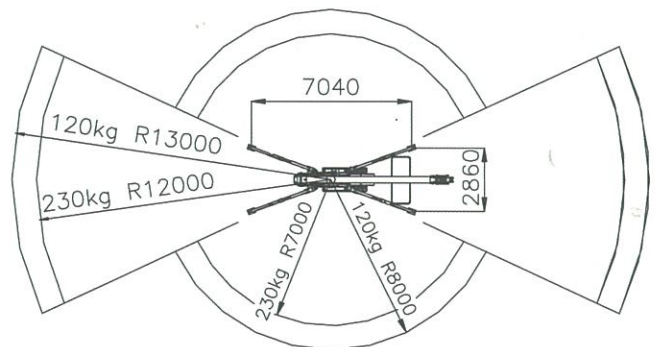
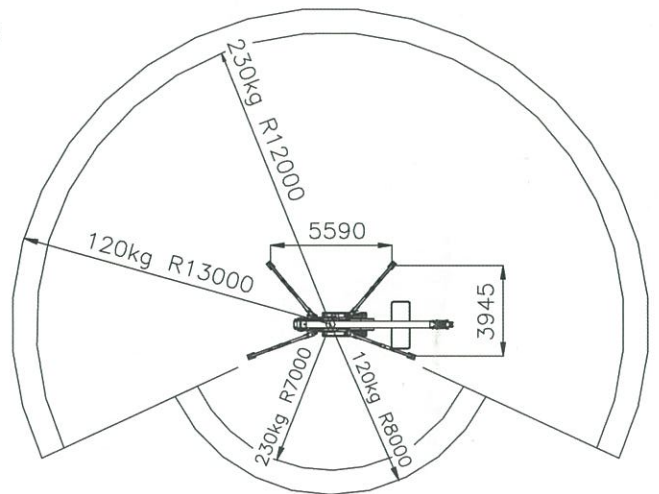
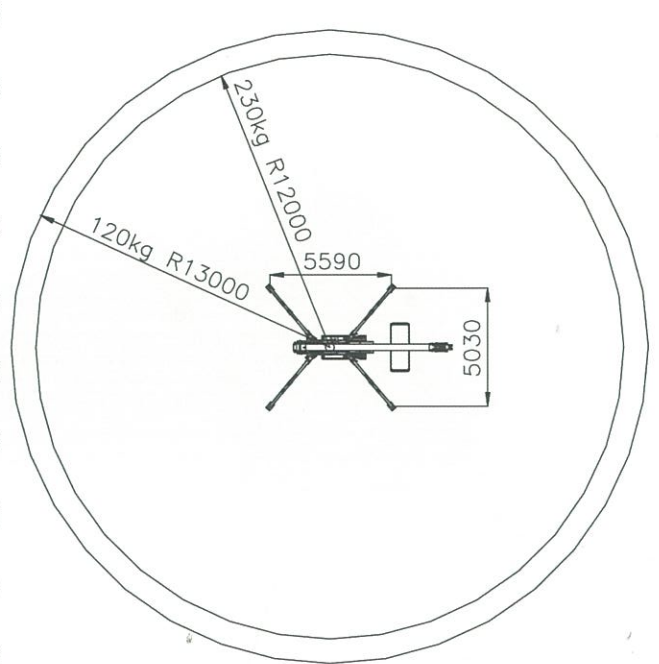
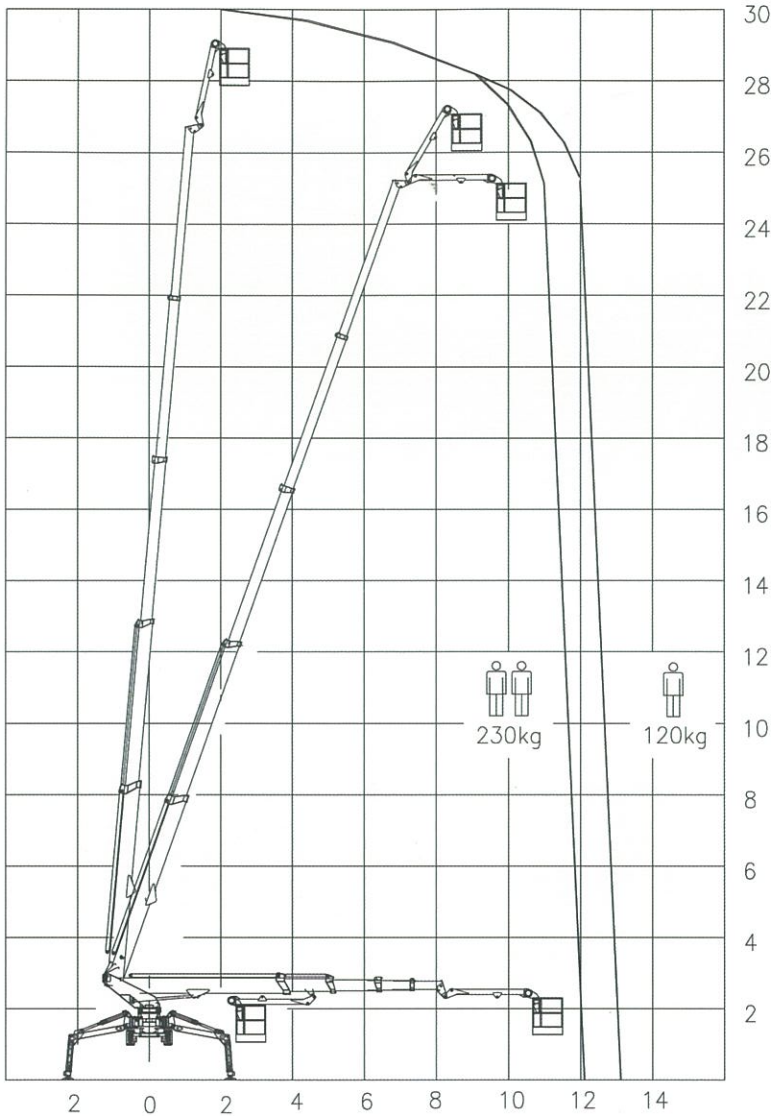
The new RAGNO generation

RAGNO TSJ 30.1



30m	13m	230kg	175°	540°	180x70cm	90°+80°	2,8-4,8m	18%	DIESEL AC/DC
40%	1,7km/h	4650kg	29kN	2,30kN/m2	3,75kN/m2	980mm	6700mm	1990mm	

RAGNO TSJ 30.1/C



Palazzani
INDUSTRIE

25050 PADERNO F.C. (BS) - ITALY
Tel: ++39 030 6857073 – Fax: ++39 030 657079
www.palazzani.it – platforms@palazzani.it

COMPANY WITH
QUALITY SYSTEM
CERTIFIED BY DNV
= ISO 9001 =

NC 360 A 13