

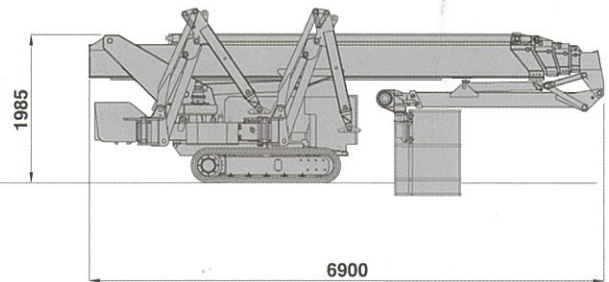
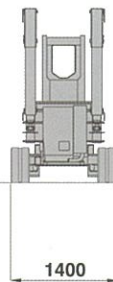
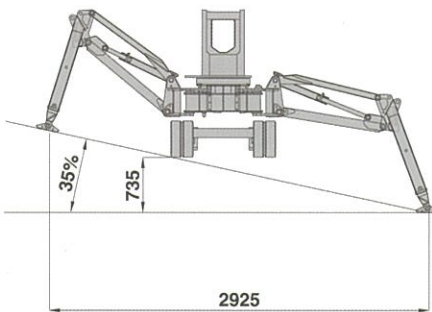
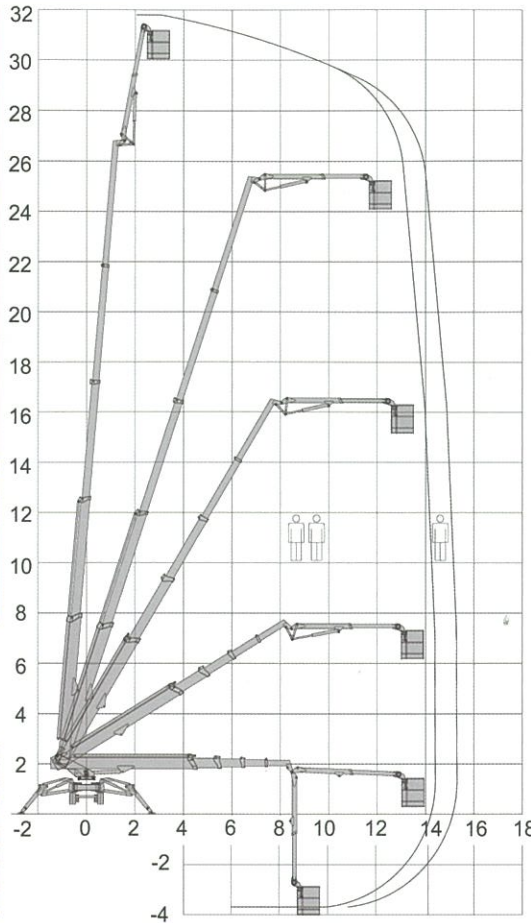
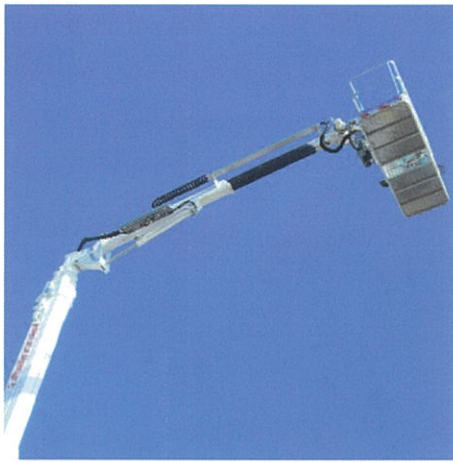
The new RAGNO generation



RAGNO XTJ 32

32m	15m	200kg	170°	endless	200x70cm	90°+90°	3,3-4,6m	40%	
40%	3,5km/h	5800kg	35kN	2,14kN/m2	4,20kN/m2	1400mm	6900mm	1985mm	

RAGNO XTJ 32/C



Palazzani
INDUSTRIE SPA

25050 Paderno F.C. (BS) - Italy
Tel ++ 39 030 6857073 - Fax ++ 39 030 657079
platforms@palazzani.it - www.palazzani.it

COMPANY WITH QUALITY MANAGEMENT
SYSTEM CERTIFIED BY DNV
= ISO 9001:2008 =

R262A